

## THERMOSTATIC STEAM TRAPS AND AIR VENTS TH35

### DESCRIPTION

The ADCA TH35 series thermostatic steam traps and air vents are specifically designed for use on process equipment such as kettle cookers, sterilizers, food, chemical and laundry equipment where high discharge capacities are involved.

### MAIN FEATURES

Modulating discharge.  
Discharges condensate close to steam saturation temperature.  
Excellent air discharge.  
Operates with moderate superheated steam.

OPTIONS: Stainless steel construction.

USE: Saturated steam.

### AVAILABLE

MODELS: TH35/2 – carbon steel, 2 capsules.  
TH35/3 – carbon steel, 3 capsules.

SIZES: 1"; DN 25.

CONNECTIONS: Female threaded ISO 7 Rp or NPT.  
Flanged EN 1092-1 PN 40.  
Flanged ASME B16.5 Class 150 or 300.  
Socket weld (SW) ASME B16.11.  
Butt weld (BW) ASME B16.25 on request.

INSTALLATION: Horizontal installation is recommended, but can be installed in any position.  
See IMI – Installation and maintenance instructions.



#### CE MARKING – GROUP 2 (PED – EUROPEAN DIRECTIVE)

PN 40	CATEGORY
1" – DN 25	SEP

#### BODY LIMITING CONDITIONS

FLANGED PN 40 / CLASS 300 *	FLANGED CLASS 150 **	RELATED TEMPERATURE
ALLOWABLE PRESSURE	ALLOWABLE PRESSURE	
40 bar	19,3 bar	50 °C
35 bar	15,8 bar	150 °C
30,4 bar	12,1 bar	250 °C
27,6 bar	10,2 bar	300 °C

PMO – Maximum operating pressure: 22 bar.

TMO – Maximum operating temperature: 250 °C.

\* According to EN 1092-1:2018.

\*\* According to EN 1759-1:2004.

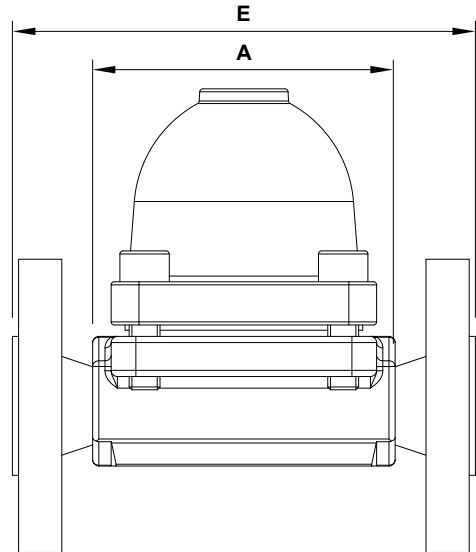
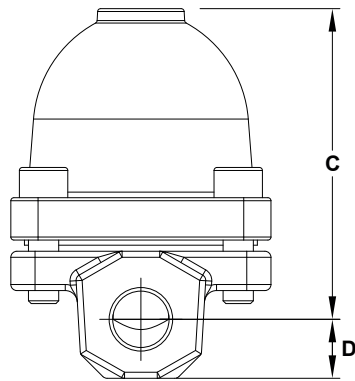
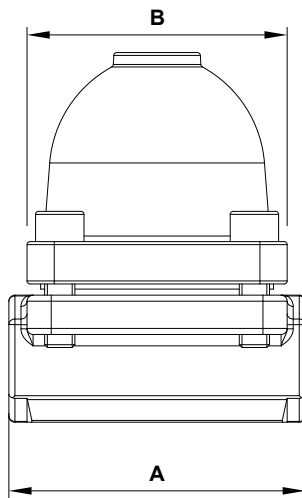
Body limiting conditions PN 40 or below, depending on the type of connection adopted. Rating PN 40 for threaded, SW and BW versions.

#### FLOW RATE CAPACITY (kg/h)

MODEL	SIZE	DIFFERENTIAL PRESSURE (bar)														
		0,2	0,3	0,5	1	1,5	2	3	4	6	8	10	13	15	20	22
TH35/2	1" – DN 25	140	240	280	510	660	770	910	1020	1200	1340	1400	1440	1500	1550	1590
TH35/3	1" – DN 25	210	360	420	765	990	1155	1365	1530	1800	2010	2100	2160	2250	2325	2385

Capacities shown refer to condensate discharge 5 °C below steam saturation temperature.

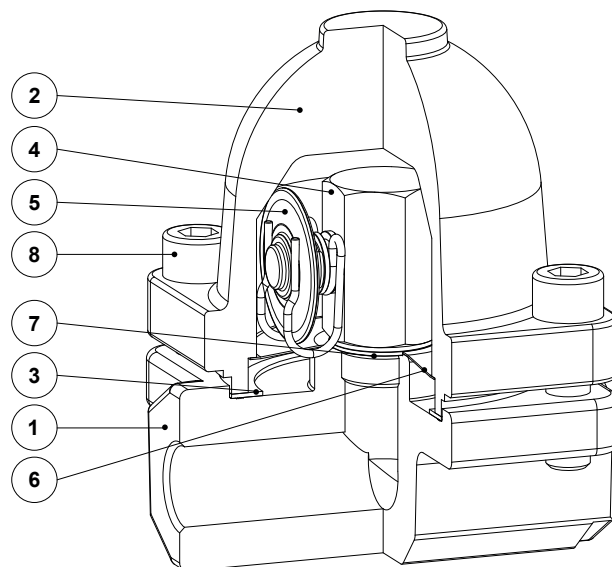
Capacities for cold condensate discharge at 20 °C are two to three times greater.



DIMENSIONS (mm)

SIZE	THREADED / SW					PN 40		CLASS 150		CLASS 300	
	A	B	C	D	WEIGHT (kg)	E *	WEIGHT (kg)	E *	WEIGHT (kg)	E *	WEIGHT (kg)
1" – DN 25	98	86	103	20	2,8	160	5,4	160	5	160	6,6

\* Other face to face dimensions on request.



MATERIALS

POS. No.	DESIGNATION	MATERIAL
1	Body	P250GH / 1.0460
2	Cover	P250GH / 1.0460
3	* Gasket	Stainless steel / Graphite
4	* Valve seat	AISI 304 / 1.4301
5	* Thermostat	Stainless steel
6	* Strainer screen	AISI 304 / 1.4301
7	* Gasket	Copper
8	Bolt	Steel 8.8

\* Available spare parts.